

GP Batteries

PRODUCT SPECIFICATION

**GP Wireless Charger
Model : QS0A**

Revision History

Revision	Date	Initiator	Reason for Change
0.0			Draft Release

Prepared By	Approved By
Date: 07 Aug 2019	Date:

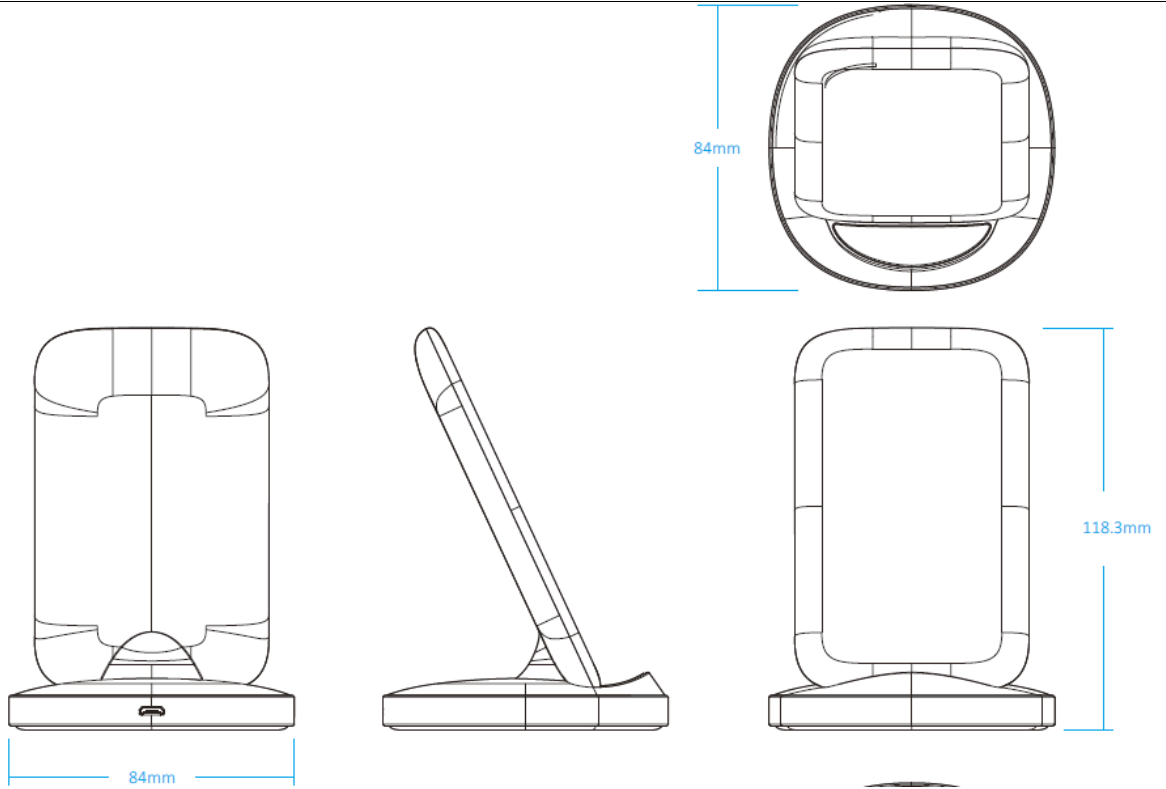
GPI International Limited

7/F, Building 16W, 16 Science Park West Avenue,
Hong Kong Science Park, New Territories, Hong Kong
Tel: (852) 2484 3333 Fax: (852) 24805912
Email: gpii@goldpeak.com
Website: <http://www.gpbatteries.com>

GP Batteries

Product Specification

Model no.: QS0A



Product Name	: GP Wireless Charger QS0A
Description	: Wireless charging stand for Qi-enabled devices
Application	: Charge electronic device via wireless charging output
Input voltage & current	: DC5V/2A, DC 9V/1.67A
Number of coil	: Dual
Output voltage & current	: 5V/1A, 9V/1.1A Max
Wireless output power	: 10W Max
Operation Temperature	: 0°C to 30°C
Storage Temperature	: -20°C to 70°C (for 6 Hours)

GP Batteries

Product Specification

Model no.: QS0A

Safety protection : 1) Over current protection
2) Short Circuit protection
3) Foreign body detection
4) Over temperature protection
5) Over voltage protection

LED Indication : **Charging Status of the Charger**

Table 1

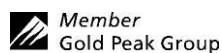
Charging Condition	LED Indicator (Red & Green)
Standby	Green Flashes Once
Charging	Green Slow Flashing
Fully charged	Green LED On
Abnormal condition	Red LED On

Dimensions : 84 (L) x 84 (W) x 120 (H) mm +/-0.5mm

Weight : 112 g +/- 5g

Certification : CE, RoHS & Qi

Warranty Period : 12 months from ex-factory date



Manufacturer reserves the right to alter or amend the design, model and specification without prior notice.